



EBARA

	Page
- SPECIFICATIONS	200
SELECTION CHART	201
TYPE KEY	202
CURVE SPECIFICATIONS	203
PERFORMANCE CHART BEST ONE	204
PERFORMANCE CHART BEST ONE VOX	205
- CONSTRUCTIONS	300
SECTIONAL VIEW DRAWING	300
SECTIONAL VIEW TABLE	301
BEARINGS	302
MECHANICAL SEAL	303
SINGLE PHASE DIAGRAM AND ELECTRIC CONNECTIONS	304
THREE PHASE DIAGRAM AND ELECTRIC CONNECTIONS	305
- INSTALLATION	400
- DIMENSIONS AND WEIGHT	500
PUMP	500
PACKING	501
- TECHNICAL DATA	600
- OPTIONAL	700
MINIMUM SUCTION SYSTEM	700

SUBMERSIBLE SUMP PUMPS

BEST ONE

SPECIFICATION

50Hz

PUMP		
Liquid Handled	Type of liquid	Clear water (Clean water for MS version)
	Max temperature [°C]	50
	Max solids size [mm]	10 20 (for Vortex version)
Maximum immersion [m]		5
Construction	Impeller	Semi-open centrifugal type (BEST ONE) Vortex type (BEST ONE VOX)
	Shaft seal type	Oil lubricated mechanical seal (pump side) + lip seal (motor side)
	Bearing	Sealed ball bearing
Pipe Connection	Suction	Strainer
	Discharge nozzle [inch]	G1¼": UNI ISO 228
Material	Pump casing	AISI 304
	Impeller	AISI 304
	Shaft seal	Mechanical seal: Ceramic/Carbon/NBR Lip seal: NBR
	Casing cover	AISI 304
	Shaft	AISI 303 + AISI 303 ceramic coated shaft sleeve
	Lubricating liquid	White mineral oil: Esso Marcol 152
Applicable standard of test		ISO 9906 – Annex A

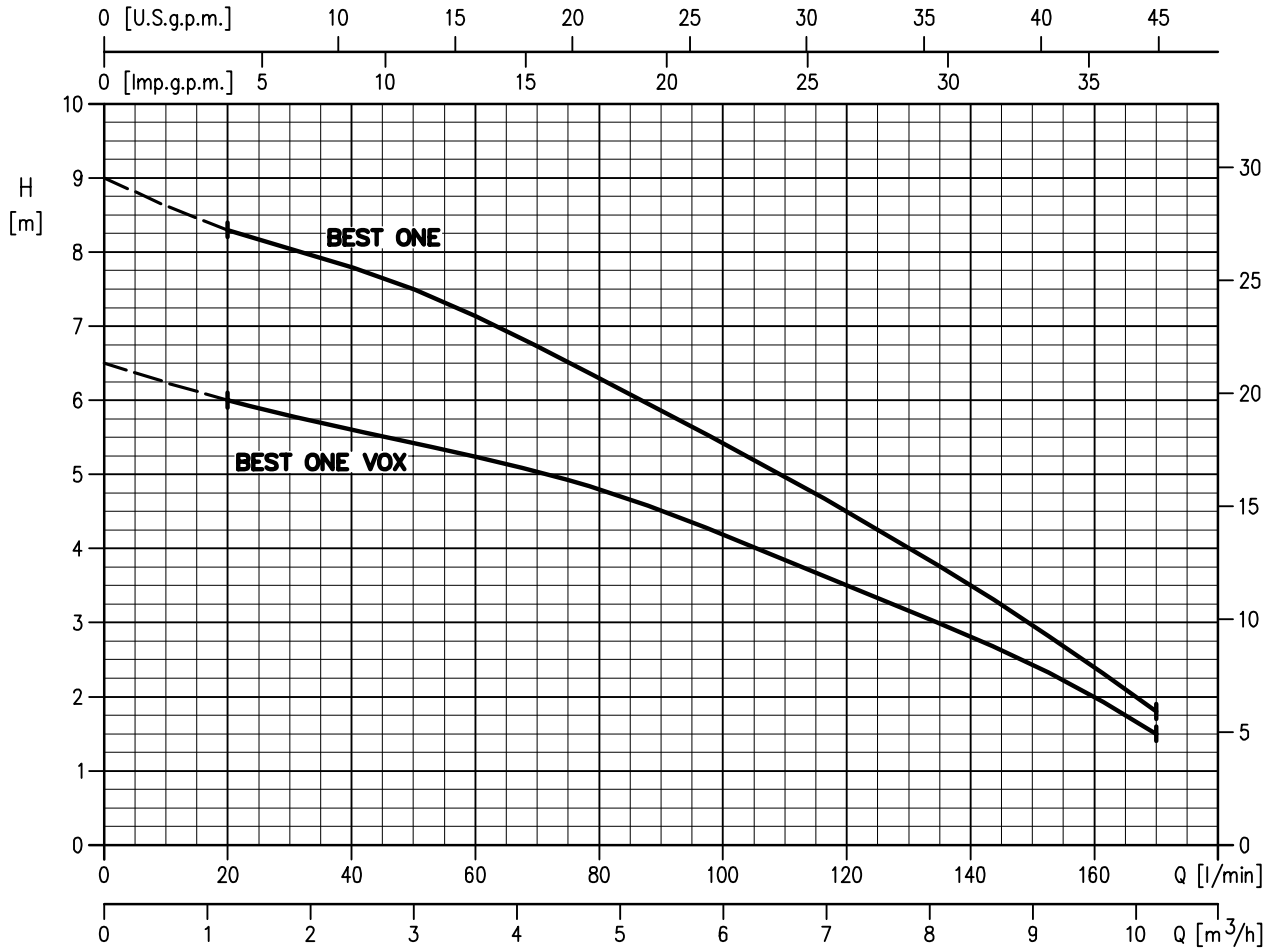
MOTOR			
Type	Submersible dry type		
	Single Phase	Three Phase	
No. of Poles	2		
Rotation speed [min ⁻¹]	≈2800		
Insulation Class	F		
Protection degree	IP 68		
Power rating	[kW]	0.25	
	[HP]	0.33	
Frequency [Hz]	50		
Voltage [V]	230 ±10%	400 ±10%	
Capacitor	Built in	-	
Over load protection	Built in	-	
Casing material	AISI 304		
Switch	float	MA version (no maintenance required)	
	magnetic	MS version (maintenance required)	
Float/magnetic switch cable	material	H07RN-F	
	size	3G1	
Power cable	length [m]	5 (only for internal usage)	
	material	H05RN-F	H07RN-F
	size	3G0.75	4G1
Cable entry	Cable Gland		

SUBMERSIBLE SUMP PUMPS

BEST ONE

SELECTION CHART

50Hz



Type pumps		Power		Q=Capacity						
Single Phase	Three Phase	kW	HP	l/min 0	20	40	80	120	160	170
				m³/h 0	1,2	2,4	4,8	7,2	9,6	10,2
BEST ONE M	BEST ONE	0,25	0,33	9,0	8,3	7,8	6,3	4,5	2,4	1,8
BEST ONE VOX M	BEST ONE VOX	0,25	0,33	6,5	6,0	5,6	4,8	3,5	2,0	1,5

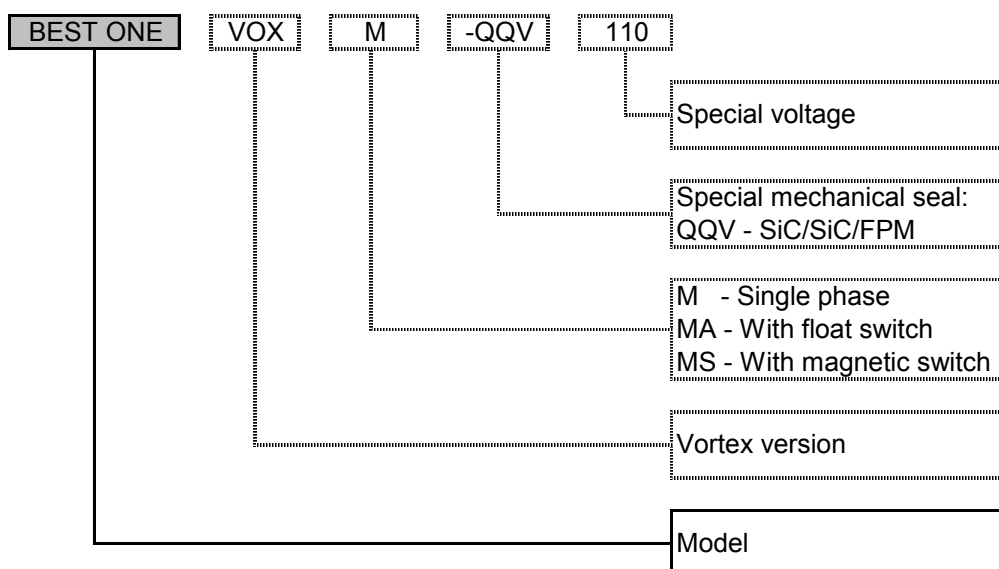
H=Total manometric head in meters

SUBMERSIBLE SUMP PUMPS

BEST ONE

TYPE KEY

50Hz



Curve specifications

The specifications below qualify the curves shown on the following pages.

Tolerances according to ISO 9906 Annex A

The curves refer to effective speed of asynchronous motors at 50 Hz

Measurements were carried out with clean water at 20°C of temperature and with a kinematic viscosity of $\nu = 1 \text{ mm}^2/\text{s}$ (1 cSt)

In order to avoid the risk of over-heating, the pumps should not be used at a flow rate below 10% of best efficiency point.

Symbols explanation:

Q = volume flow rate

H = total head

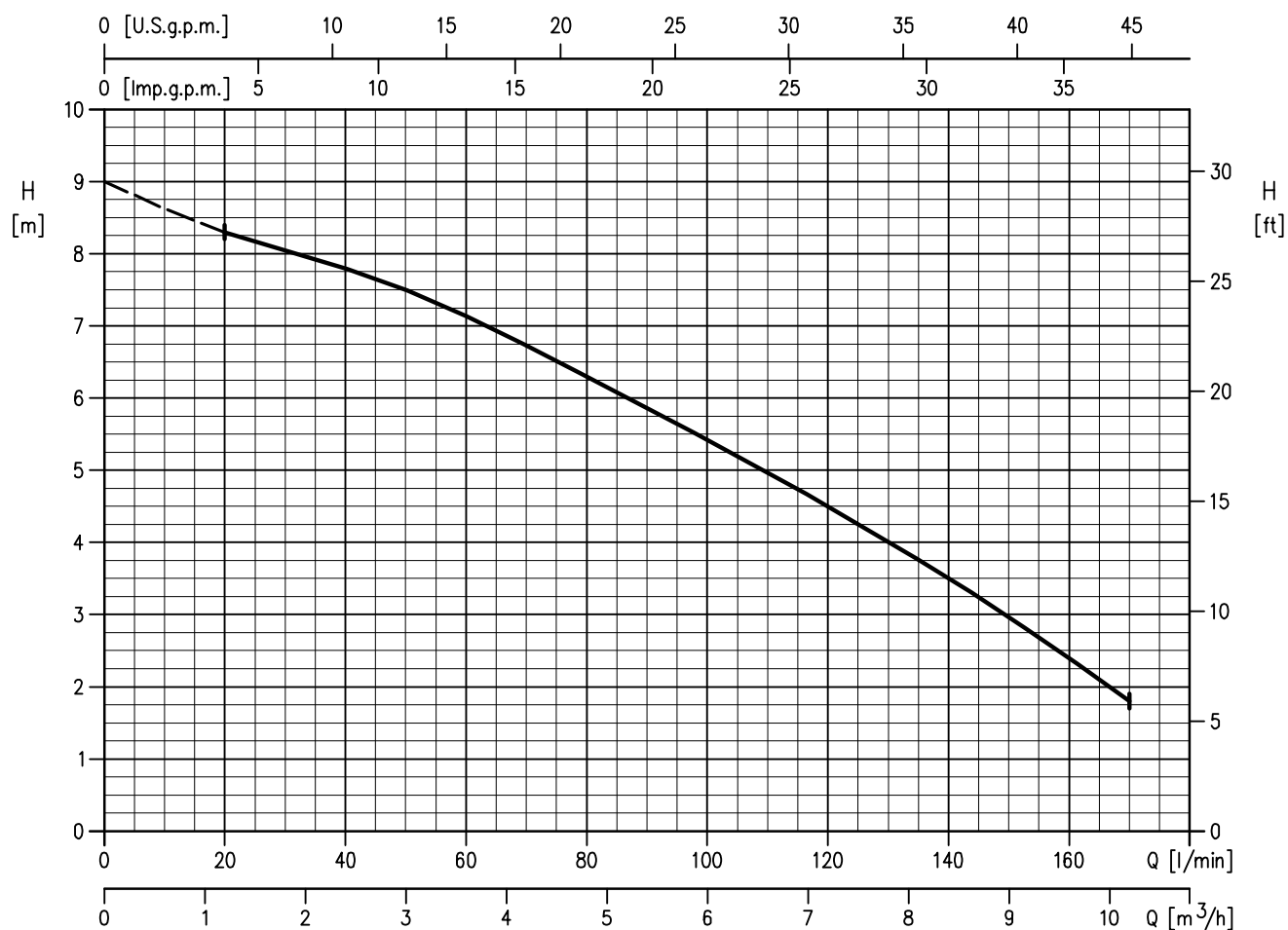
SUBMERSIBLE SUMP PUMPS

BEST ONE

PERFORMANCE CURVE

50Hz

BEST ONE



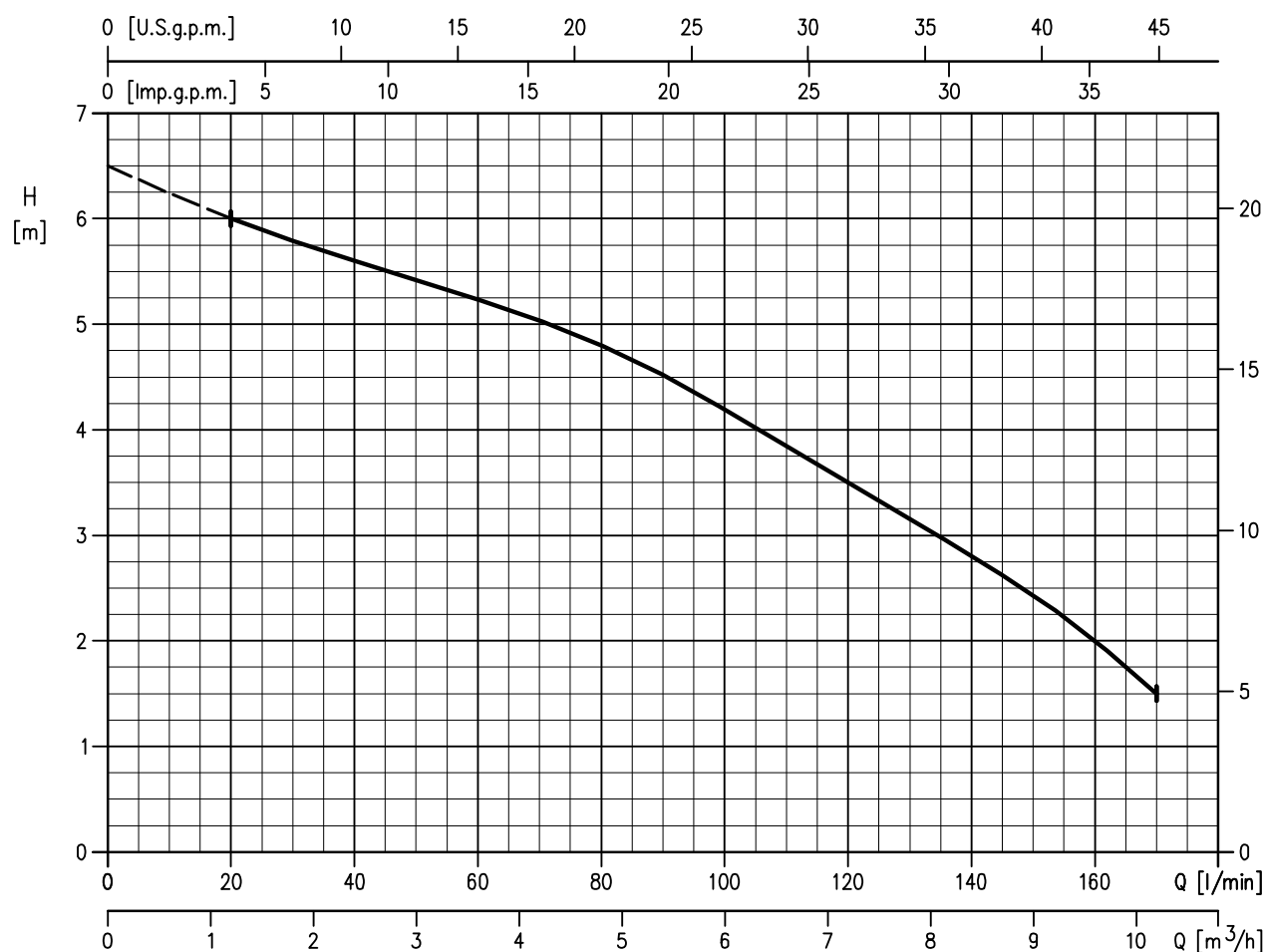
SUBMERSIBLE SUMP PUMPS

BEST ONE

PERFORMANCE CURVE

50Hz

BEST ONE VOX



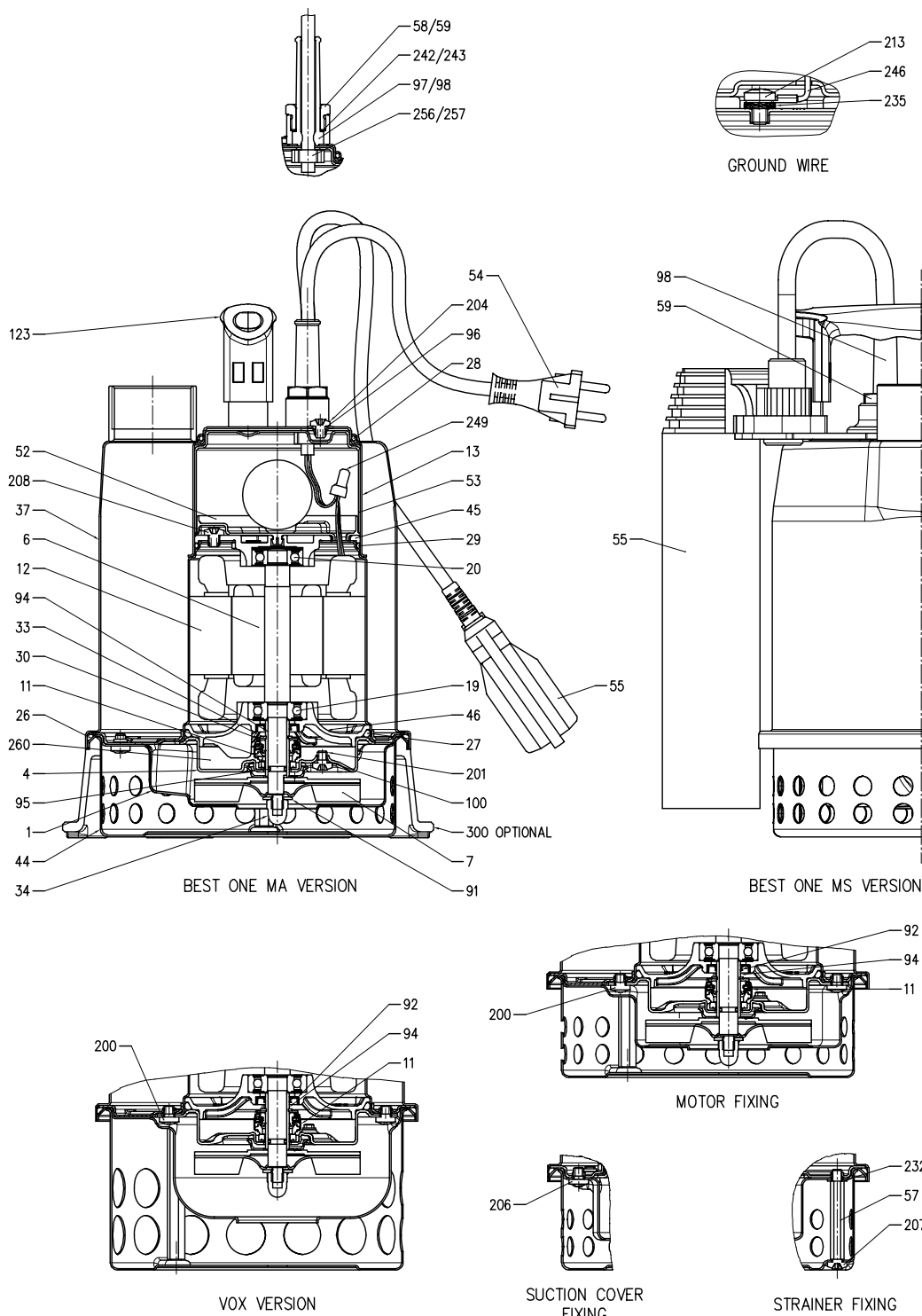
SUBMERSIBLE SUMP PUMPS

BEST ONE

CONSTRUCTION

50Hz

SECTIONAL VIEW



SUBMERSIBLE SUMP PUMPS

BEST ONE

CONSTRUCTION

50Hz

SECTIONAL VIEW TABLE

N°	PART NAME	MATERIAL	DIMENSIONS	STANDARD	Q.ty
1	Suction cover	EN 1.4301 (AISI 304)	-	-	1
4	Casing cover	EN 1.4301 (AISI 304)	-	-	1
6	Shaft with rotor	EN 1.4305 (AISI 303)	-	-	1
7	Impeller	EN 1.4301 (AISI 304)	-	-	1
11	Mechanical seal [1]	[1]	[1]	-	1
12	Motor frame with stator	EN 1.4301 (AISI 304)	-	-	1
13	Motor cover	EN 1.4301 (AISI 304)	-	-	1
19	Lower ball bearing	-	-	-	1
20	Upper ball bearing	-	-	-	1
21	Adjusting ring	-	-	-	1
23	Capacitor [2]	-	-	-	1
26	O-ring	NBR	159,5x3	-	1
27	O-ring	NBR	88,5x3,53	-	1
28	O-ring	NBR	75,87x2,62	-	1
29	O-ring	NBR	75,87x2,62	-	1
30	Washer	EN 1.4301 (AISI 304)	12x21x1	-	1
33	Seeger ring	Carbon steel TC80	12	UNI 7435	1
34	Impeller nut	A2 - 70 UNI 7323	M6	UNI 5721	1
37	Pump casing	EN 1.4301 (AISI 304)	-	-	1
44	Strainer	EN 1.4301 (AISI 304)	-	-	1
45	Upper bearing housing	EN 1706 AC-46000 D	-	-	1
46	Lower bearing housing	EN 1706 AC-46000 D	-	-	1
52	Terminal insulating base	PA6	-	-	1
53	Terminal insulating box	PA6	-	-	1
54	Power cable	-	-	-	1
55	Switch [3] [4]	-	-	-	1
57	Spacer	EN 1.4301 (AISI 304)	-	-	2
58	Power cable connector	OT 58 UNI 5705-65 Nickel-plated Brass	-	-	1
59	Switch cable connector [3]	OT 58 UNI 5705-65 Nickel-plated Brass	-	-	1
91	Washer	EN 1.4301 (AISI 304)	-	-	1
92	Lip seal	NBR	22x12x4	-	1
94	Shaft sleeve	EN 1.4305 (AISI 303) ceramic coated	-	-	1
95	O-ring	NBR	6,07x1,78	-	1
96	O-ring	NBR	4,48x1,78	-	1
97	Power cable connector	NBR	-	-	1
98	Switch cable connector [3]	NBR	-	-	1
100	O-ring	NBR	4,48x1,78	-	1
123	Handle	PP	-	-	1
200	Screw	A2 - 70 UNI 7323	M5x6	UNI 7687	4
201	Screw	A2 - 70 UNI 7323	M5x6	UNI 7687	1
204	Screw	A2 - 70 UNI 7323	M5x6	UNI 7687	1
206	Screw	A2 - 70 UNI 7323	M5x6	UNI 7687	3
207	Screw	A2 - 70 UNI 7323	M5x6	UNI 7687	2
208	Screw	A2 - 70 UNI 7323	M5x6	UNI 7687	3
213	Screw	A2 - 70 UNI 7323	M4x6	UNI 7687	1
232	Washer	PA6	5,5x10x1	-	1
235	Washer	Zinked Steel	4	UNI 8842	1
242	Washer	EN 1.4301 (AISI 304)	13,4x15,9x1	-	1
243	Washer [3]	EN 1.4301 (AISI 304)	13,4x15,9x1	-	1
246	Ground wire	-	-	-	1
256	Strain relief	-	-	-	1
257	Strain relief [3]	-	-	-	1
260	Oil	Esso Marcol 152	-	-	40 cc
300	Minimum suction system [5]	Thermoplastic elastomer vulcanizate	-	-	-

[1] See pag. 303

[2] Only for single phase

[3] Only for automatic version

[4] It could be floating or magnetic type

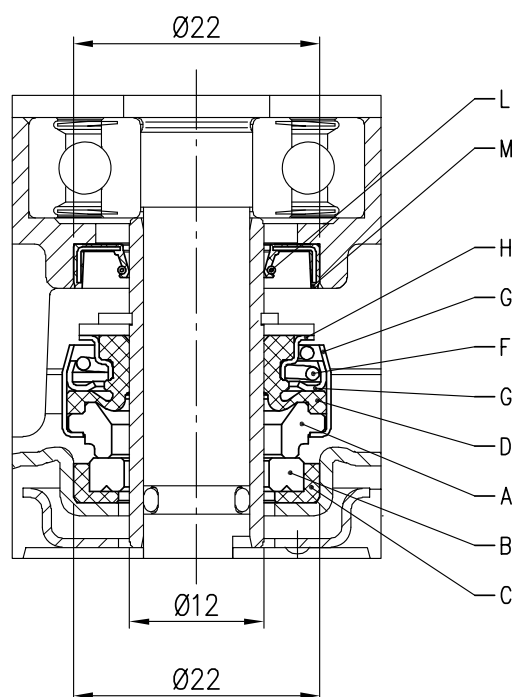
[5] OPTIONAL See pag.700

SUBMERSIBLE SUMP PUMPS

BEST ONE**CONSTRUCTION**

50Hz**BEARINGS**

Type pumps		Ball Bearing	
Single Phase	Three Phase	Lower side	Upper side
BEST ONE M	BEST ONE	6200 ZZ C3	6000 ZZ C3

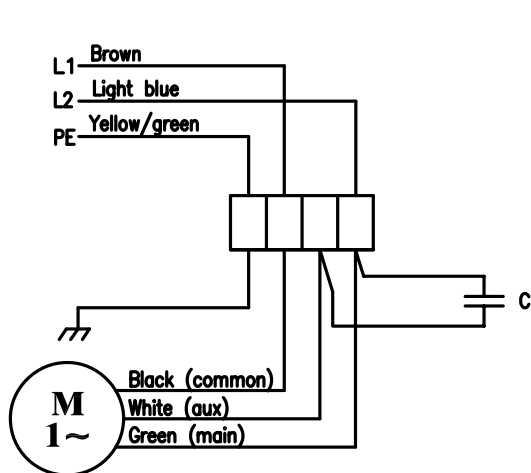
MECHANICAL SEAL

REF	PART NAME	MATERIAL product standard	MATERIAL optional
A	Rotary seal ring	Carbon graphite	SiC
B	Stationary seal ring	Ceramic	SiC - Q6 (*)
C	Gasket	NBR	FPM
D	Bellows	NBR	FPM
F	Self driving spring	EN 1.4301 (AISI 304)	
G	Frame	EN 1.4301 (AISI 304)	
H	Retainer ring	EN 1.4301 (AISI 304)	
L	Spring	EN 1.4318 (AISI 302)	
M	Lip	NBR	

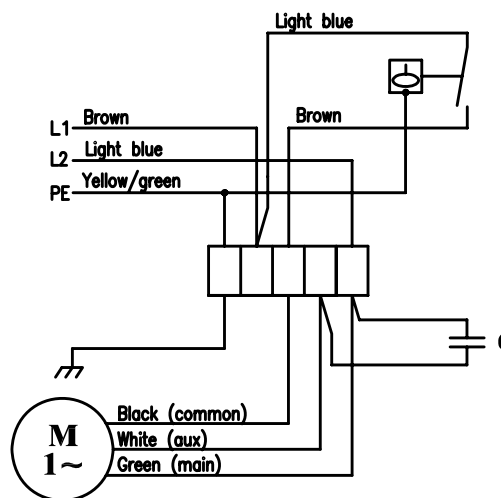
(*) Special grade of SiC with microporosities filled with graphite

SINGLE PHASE MOTOR DIAGRAM AND ELECTRIC CONNECTIONS

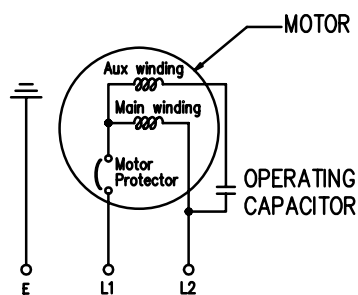
WITHOUT FLOAT SWITCH



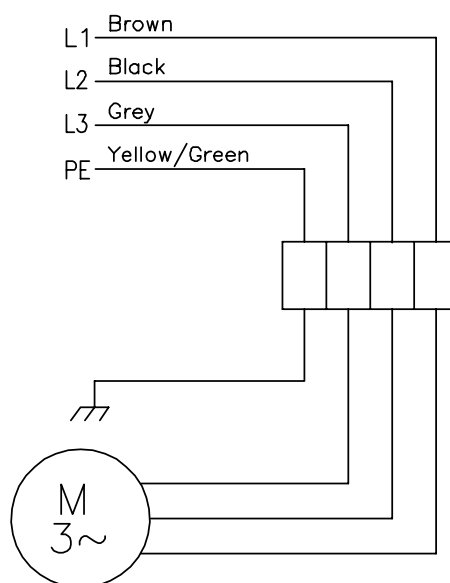
WITH FLOAT SWITCH



230 V
INTERNAL MOTORPROTECTOR



TREE PHASE MOTOR DIAGRAM AND ELECTRIC CONNECTIONS

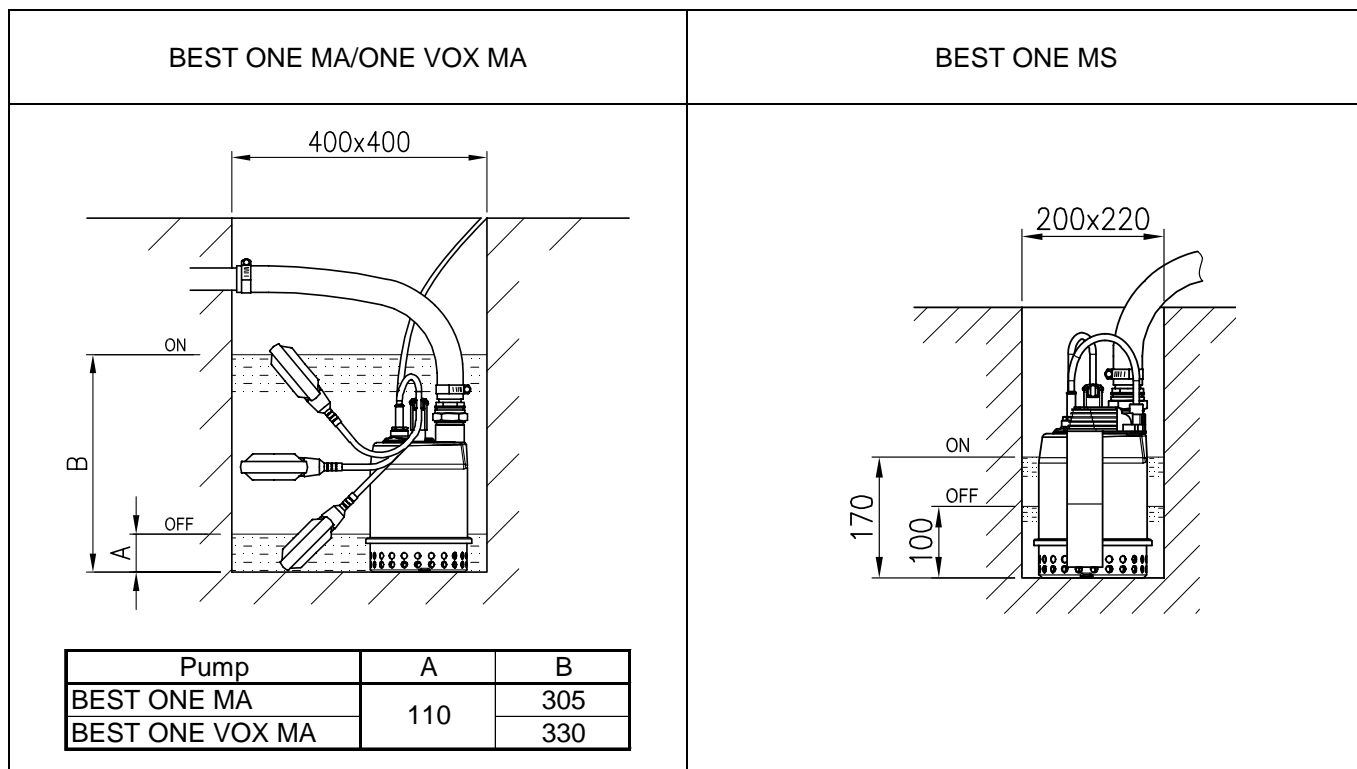


SUBMERSIBLE SUMP PUMPS

BEST ONE

INSTALLATION

50Hz



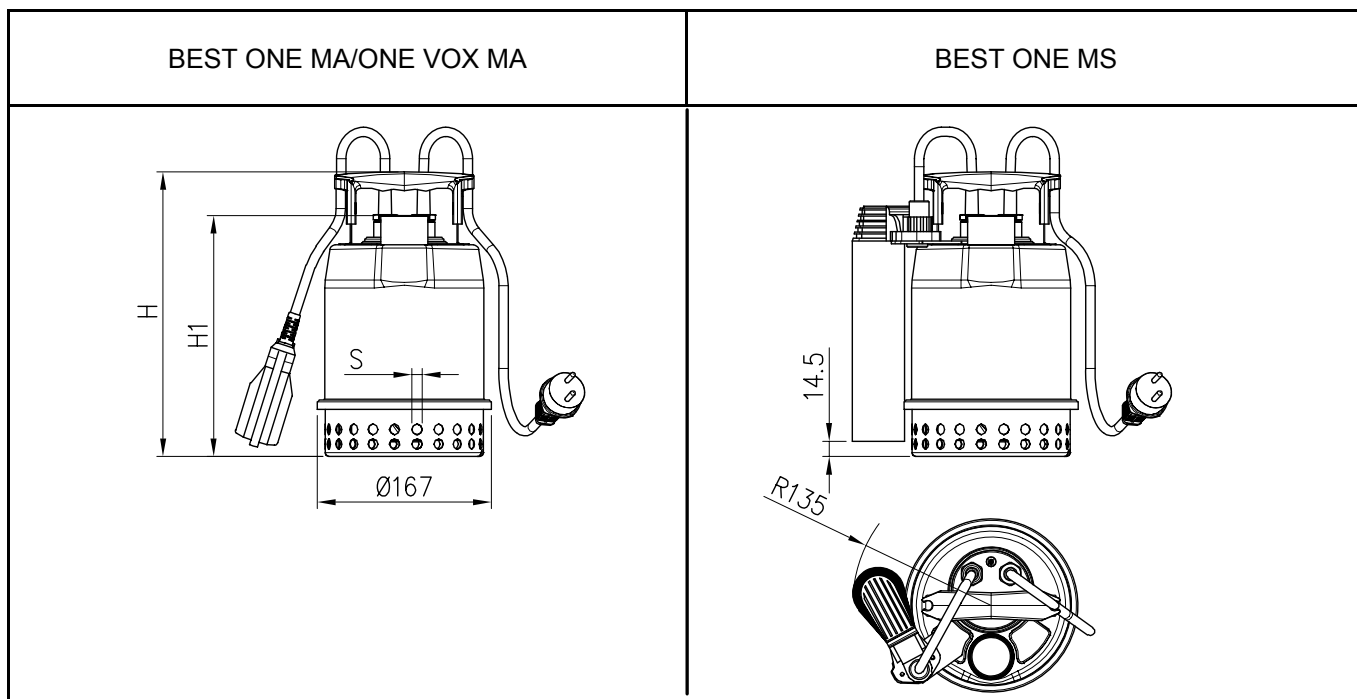
SUBMERSIBLE SUMP PUMPS

BEST ONE

DIMENSION AND WEIGHT

50Hz

PUMP



Type Pumps	Dimensions [mm]			Weight [kgf]
	H	H1	S	
BEST ONE	273	231	10	4.3
BEST ONE M				4.4
BEST ONE MA				4.6
BEST ONE MS				4.8
BEST ONE VOX	304	262	20	4.4
BEST ONE VOX M				4.5
BEST ONE VOX MA				4.7

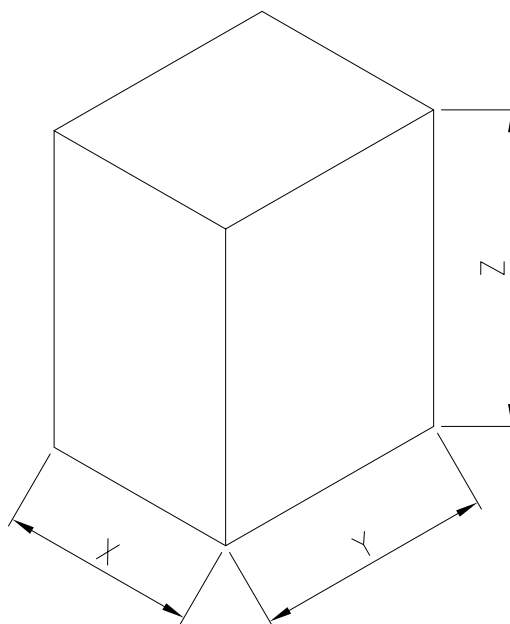
SUBMERSIBLE SUMP PUMPS

BEST ONE

DIMENSION AND WEIGHT

50Hz

PACKING



Type Pumps	Dimensions [mm]			Weight [kgf]
	X	Y	Z	
BEST ONE	180	220	330	4.8
BEST ONE M				4.9
BEST ONE MA				5.1
BEST ONE MS				5.3
BEST ONE VOX				4.9
BEST ONE VOX M				5.0
BEST ONE VOX MA				5.2

SUBMERSIBLE SUMP PUMPS

BEST ONE

TECHNICAL DATA

50Hz

ELECTRIC DATA											
Type pumps		kW	HP	Capacitor Single Phase		Input [kW]		Full load current [A]		Locked rotor current	
Single Phase	Three Phase			μF	Vc [V]	Single Phase	Three Phase	Single Phase 230 V	Three Phase 400 V	Single Phase 230 V	Three Phase 400 V
Best One M	Best One	0,25	0,33	8	450	0,51	0,47	2,3	0,8	5,8	2,7
Best One Vox M	Best One Vox	0,25	0,33	8	450	0,50	0,44	2,2	0,8	5,6	2,7

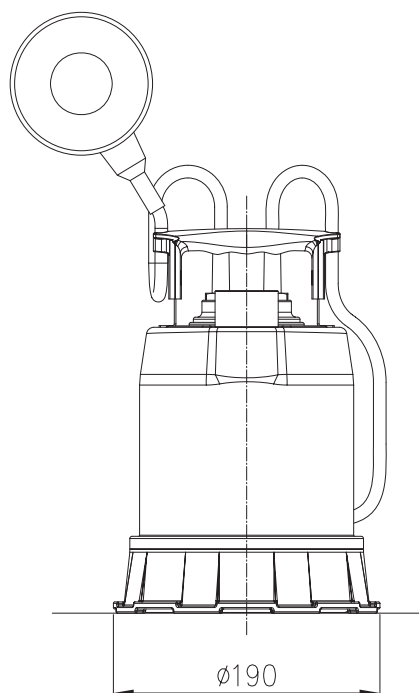
SUBMERSIBLE SUMP PUMPS

BEST ONE

OPTIONAL

50Hz

MINIMUM SUCTION SYSTEM



LEVEL	
Minimum starting suction level	10 mm
Minimum suction level capability	3 mm

Type pumps	COMPATIBILITY			
	Version			
	1~			3~
	M	MA	MS	
Best One	✓	✓	✗	✓
Best One Vox	✗	✗	✗	✗

700